



SN-IPS57/20BDN-ZSC22

2MP PTZ Network Camera



Key Features

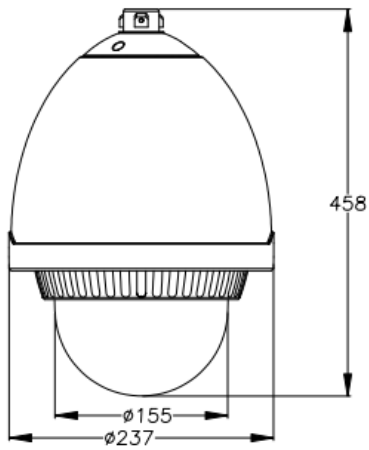
- 1/2.8" progressive scan CMOS
- 22x optical zoom, 16x digital zoom
- 2MP(1920×1080)@25/30fps
- Multiple streams
- 3D DNR, DWDR, ICR, IVS, Defog
- Auto tracking
- IP66

Specification

Camera	
Image Sensor	1/2.8" Progressive Scan CMOS
Effective Pixels	1920(H) x 1080(V)
Electronic Shutter	Auto/Manual, 1/1-1/10,000s
Min. illumination	Color:0.01Lux@(F1.2,AGC ON) B/W:0.001Lux@(F1.2,AGC ON)
S/N Ratio	55dB
Day/Night	Auto(ICR) / Day / Night / Timing
Wide Dynamic Range	DWDR
IR Range	N/A
IR On/Off Control	N/A
IR LEDs	N/A
Lens	
Focal Length	4.7~103mm
Max. Aperture	F1.6~F3.5
Angle of View	H:58.7°~3.2°
Optical Zoom	22x
Digital Zoom	16x
Focus Control	Auto/Manual
PTZ	
Pan/Tilt Range	Pan: 0° ~ 360° endless, Tilt: -5° ~ +90°
Manual Control Speed	Pan: 0.1° ~180° /s, Tilt: 0.1° ~90° /s
Preset Speed	Pan: 180° /s, Tilt: 90° /s
Presets	400
PTZ Mode	6 Track, 12 Tour, 12 Scan,
Speed Setup	Auto/Manual (0-8)
Power up Action	Support
Idle Motion	Activate Preset/ Scan/ Tour/ Track if there is no command in the specified period
Video	
Compression	H.265, H.264, MJPEG
Max. Resolution	1080P(1920x1080)
Streaming Capability	3 Streams
Stream / Frame Rate	Stream 1: 1920x1080/ 1280x720 @ 25/30fps Stream 2: D1/VGA/640x360/CIF/QVGA @25/30fps Stream 3: VGA/CIF/QVGA @25/30fps
Bit Rate Control	CBR/VBR
Bit Rate	Stream1: 500kbps~12Mbps Stream2: 100kbps~6Mbps Stream3: 100kbps~3Mbps
Image Enhancement	HLC / BLC / Anti-shake / Defog / DWDR
White Balance	Auto/Tungsten/Fluorescent/Daylight/Shadow/Manual
Gain Control	Auto/Manual
Noise Reduction	2D/3D DNR

Smart IR	Support
Mirror	Support
Aisle Mode	Support
Region of Interest	Off / On (8 Zone)
Motion Detection	Off / On
Privacy Masking	Off / On (4 Area, Rectangle)
Audio	
Compression	G.711, RAW_PCM
Bit Rate	64kbps(G.711), 128kps(RAW_PCM)
Network	
Protocols:	IPv4/IPv6, 802.1x, HTTP, HTTPS, TCP/IP, UDP/IP, RTSP, DHCP, NTP, RTCP/RTP, PPPoE, SMTP, DNS, UPnP, FTP, ARP, SNMP
Interoperability	ONVIF, SDK, CGI
Streaming Method	Unicast
Max. User Access	10 Users
Edge Storage	NAS Local PC for instant recording Micro SD card 128GB
Web Viewer	<IE11, Chrome, Firefox
Management Software	SunView
Smart Phone	IOS, Android
Intelligence	
Auto Tracking	Support
IVS	Perimeter, Single Virtual Fence, Double Virtual Fences, Loiter, Multi Loiter, Object Left, Object Removed, Abnormal Speed, Converse, Illegal Parking, Signal Bad
Interface	
Ethernet	1 Ethernet (10/100 Base-T) RJ-45 Connector
Audio	1ch Input, 1ch Output
Alarm	2ch Input, 1ch Output
RS485	Support
CVBS Output	Support
Reset Button	Yes (Built-in)
Electrical	
Power Supply	AC24V/POE+ (IEEE 802.3at)
Power Consumption	Less than 40W
Operating Temperature	Starting Temperature: -30°C ~ 60°C (-22°F ~ 140°F) Working Temperature: -40°C ~ 60°C (-40°F ~ 140°F)
Operating Humidity	Less than 90% RH
Ingress Protection	IP66, TVS4000V
Certifications	CE/FCC
Casing	Metal
Dimensions	Φ237x458mm
Net Weight	4.5Kg

Dimensions(mm)



Accessories

Optional:



SN-BK606A
Wall Bracket



SN-BK607
Ceiling Bracket



SN-BK616
Flush Mount



SN-BK605
Corner Mount



SN-BK604B
Pole Mount