



# SN-IPT5930CYAR-Z30

3MP IR PT Bullet Network Camera



## Key Features

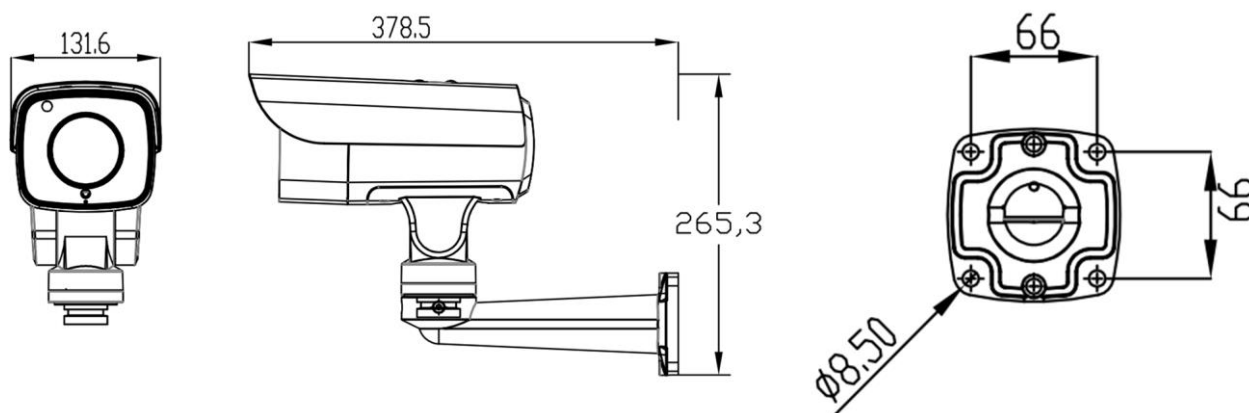
- 1/2.8" progressive scan CMOS
- 30x optical zoom, 16x digital zoom
- 3MP(2048x1536)@25/30fps
- Multiple streams
- 3D DNR, WDR, ICR, IVS, Defog
- Smart IR range up to 100m
- IP66

# Specification

Camera	
Image Sensor	1/2.8" Progressive Scan CMOS
Effective Pixels	2048(H) x 1536(V)
Electronic Shutter	Auto/Manual, 1/5-1/20,000s
Min. illumination	Color: 0.01Lux @(F1.2,AGC ON) B/W: 0Lux @(IR LED ON)
S/N Ratio	55dB
Day/Night	Auto(ICR) / Day / Night / Timing
Wide Dynamic Range	WDR (120dB)
IR Range	Up to 100m
IR On/Off Control	Auto/ Manual
IR LEDs	6pcs
Lens	
Focal Length	4.5~135mm
Max. Aperture	F1.6~F4.4
Angle of View	H: 59.8°~2.3°
Optical Zoom	30x
Digital Zoom	16x
Focus Control	Auto/Manual
PTZ	
Pan/Tilt Range	Pan: 0° ~ 360° endless, Tilt: -40° ~ +50°
Manual Control Speed	Pan: 0.1° ~80° /s, Tilt: 0.1° ~20° /s
Preset Speed	Pan: 80° /s, Tilt: 20° /s
Presets	256
PTZ Mode	4 Track, 4 Tour, 4 Scan,
Speed Setup	Auto/Manual (0-8)
Power up Action	Support
Idle Motion	Activate Preset/ Scan/ Tour/ Track if there is no command in the specified period
Video	
Compression	H.265, H.264, MJPEG
Max. Resolution	3MP(2048x1536)
Streaming Capability	3 Streams
Stream / Frame Rate	Stream1: 2048x1536/1920x1080/1280x720 @25/30fps Stream2: D1/VGA/640x360/CIF/QVGA @25/30fps Stream3: VGA/CIF/QVGA @25/30fps
Bit Rate Control	CBR/VBR
Bit Rate	Stream1: 200kbps~12Mbps Stream2: 100kbps~6Mbps Stream3: 100kbps~6Mbps
Image Enhancement	HLC / BLC / Anti-shake / Defog / WDR (120dB)
White Balance	Auto/Tungsten/Fluorescent/Daylight/Shadow/Manual
Gain Control	Auto/Manual
Noise Reduction	2D/3D DNR

Smart IR	Support
Mirror	Support
Aisle Mode	Support
Region of Interest	Off / On (8 Zone)
Motion Detection	Off / On
Privacy Masking	Off / On (4 Area, Rectangle)
Audio	
Compression	G.711, RAW_PCM
Bit Rate	8kbps(G.711), 16kps(RAW_PCM)
Network	
Protocols:	IPv4/IPv6, 802.1x, HTTP, HTTPS, TCP/IP, UDP/IP, RTSP, DHCP, NTP, RTCP/RTP, PPPoE, SMTP, DNS, UPnP, FTP, ARP, SNMP
Interoperability	ONVIF, SDK, CGI
Streaming Method	Unicast
Max. User Access	10 Users
Edge Storage	NAS Local PC for instant recording Micro SD card 128GB
Web Viewer	<IE11, Chrome, Firefox
Management Software	SunView
Smart Phone	IOS, Android
Intelligence	
Auto Tracking	N/A
IVS	Perimeter, Single Virtual Fence, Double Virtual Fences, Loiter, Multi Loiter, Object Left, Object Removed, Abnormal Speed, Converse, Illegal Parking, Signal Bad
Interface	
Ethernet	1 Ethernet (10/100 Base-T) RJ-45 Connector
Audio	1ch Input, 1ch Output
Alarm	2ch Input, 1ch Output
RS485	N/A
CVBS Output	N/A
Reset Button	Yes (Built-in)
Electrical	
Power Supply	DC12V
Power Consumption	Less than 20W
Operating Temperature	-30°C ~ 60°C (-22°F ~ 140 °F)
Operating Humidity	Less than 90% RH
Ingress Protection	IP66, TVS4000V
Certifications	CE/FCC
Casing	Metal
Dimensions	378.5mmx131.6mmx265.3mm
Net Weight	2.5Kg

## Dimensions(mm)



## Accessories

Optional: