



SN-H1305S-AT20

5MP 20x Hybrid IR PTZ Camera



Key Features

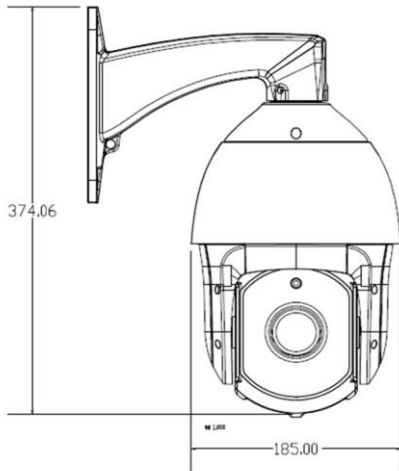
- 1/2.7" progressive scan CMOS
- 20x optical zoom, f=4.7mm~94mm
- 5MP(2560×1920)@20fps
- Video Transmission 300m
- IR Range up to 150m
- DNR, DWDR, ICR, BLC, AWB
- Support AHD/TVI/CVI/CVBS Output
- IP66

Specification

Camera	
Image Sensor	1/2.7" Progressive Scan CMOS
Effective Pixels	2560(H) x 1920(V)
Electronic Shutter	Auto
Min. illumination	Color: 0.01Lux @(F1.2,AGC ON) B/W: 0Lux @(IR LED ON)
S/N Ratio	More than 52dB
IR Range	Up to 150m
IR On/Off Control	Auto/ Manual
IR LEDs	10pcs
OSD Joystick	N/A
Up the Coax	Support
Lens	
Focal Length	4.7~94mm
Max. Aperture	F1.6~F3.5 (Fixed IRIS)
Angle of View	H: 58.7°~3.2°
Optical Zoom	20x
Focus Control	Auto/Semi-automatic/Manual
Zoom Speed	Approx.4.2s (Optical Wide-Tele)
PTZ	
Pan/Tilt Range	Pan: 0° ~ 360° endless, Tilt: 0° ~ +90°
Manual Control Speed	Pan: 0.1° ~200° /s, Tilt: 0.1° ~180° /s
Preset Speed	Pan: 200° /s, Tilt: 180° /s
Presets	128
Speed Proportion	As the length of focus, to auto-adjust the speed
Scan	355°programmable, 4 scan
Pattern	355°programmable, 4 scan
Tour	4 tour, speed & park time of presets can be set.
Idle run	Tour/Preset/Pattern/Scan can be set
Power up run	Tour/Preset/Pattern/Scan can be set

Video	
Resolution	5MP (2560x1920)
Frame Rate	5MP@20fps
Video Output	Support AHD/TVI/CVI/CVBS Output
Day/Night	Ext / AUTO / Color / MONO
OSD Menu	Support
Wide Dynamic Range	DWDR
Gain Control	Auto
DNR	Auto / Off / Low / Middle / High
White Balance	Auto
BLC	ON/OFF
Interface	
Video Output	1 BNC
RS485	Yes
Alarm Input	Optional
Alarm Output	Optional
Electrical	
Power Supply	DC24V
Power Consumption	9W (IR OFF), 30W (IR ON)
Operating Temperature	-40 °C ~ 60 °C (-40°F ~ 140 °F)
Operating Humidity	Less than 90% RH
Ingress Protection	IP66
Certifications	CE/FCC
Casing	Metal
Dimensions	Φ185x.374mm
Net Weight	5Kg

Dimensions(mm)



Accessories

Optional: