



# SN-IPC57/21HDN/F

2MP Starlight Box Network Camera



## Key Features

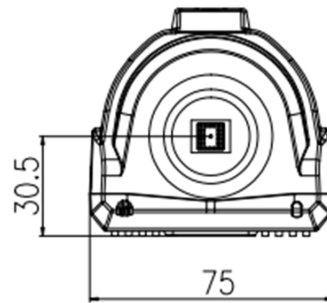
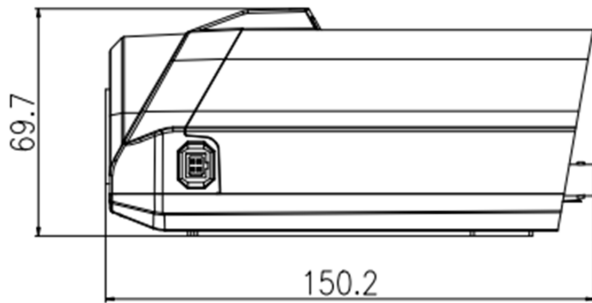
- 1/1.9" progressive scan CMOS
- 50fps/60fps@1080P(1920\*1080)
- Triple Streams, Triple Power Supply
- DWDR, 3D DNR, ROI, Defog, HLC, EIS
- Auto back focus(ABF)

# Specification

Camera	
Image Sensor	1/1.9" Progressive Scan CMOS
Effective Pixels	1920(H)×1080(V)
Electronic Shutter	1/5~1/20,000s
Min. illumination	Color:0.001Lux @(F1.2,AGC ON) B/W:0.0001Lux @(F1.2,AGC ON)
S/N Ratio	55dB
Day/Night	ICR
Wide Dynamic Range	DWDR
IR Range	N/A
IR On/Off Control	N/A
IR LEDs	N/A
Auto Back Focus	Support
Lens	
Lens Type	N/A
Iris	DC Auto Iris
Focal Length	N/A
F Number	N/A
Angle of View	N/A
Focus Control	N/A
Video	
Max. Resolution	1080P(1920×1080)
Streaming Capability	3 Streams
Stream / Frame Rate	Stream1:1920×1080/1280×720 @50/60fps Stream2: D1/VGA/640×360/CIF/QVGA @25/30fps Stream3: VGA/CIF/QVGA @25/30fps
Bit Rate Control	CBR/VBR
Bit Rate	Stream1: 200kbps~12Mbps Stream2: 100kbps~6Mbps Stream3: 100kbps~3Mbps
Image Enhancement	HLC / BLC / Anti-shake / Defog / DWDR
White Balance	Support
Gain Control	Auto/Manual
Noise Reduction	2D/3D DNR
Smart IR	Support
Mirror	Support
Aisle Mode	Support
Region of Interest	Support

Motion Detection	Support
Privacy Masking	Support
Audio	
Compression	G.711 ,RAW_PCM
Bit Rate	8kbps, 16kps, 64kbps
Network	
Protocols:	IPv4/IPv6, 802.1x, HTTP, HTTPS, TCP/IP, UDP/IP, RTSP, DHCP, NTP, RTCP/RTP, PPPoE, SMTP, DNS, UPnP, FTP, ARP, SNMP
Interoperability	ONVIF, SDK, CGI
Streaming Method	Unicast
Max. User Access	10 Users
Web Viewer	<IE11, Chrome, Firefox
Management Software	SunView
Smart Phone	IOS, Android
Intelligence	
IVS	Perimeter, Single Virtual Fence, Double Virtual Fences, Loiter, Multi Loiter, Object Left, Object Removed, Abnormal Speed, Converse, Illegal Parking, Signal Bad
Interface	
Ethernet	1 Ethernet (10/100 Base-T) RJ-45 Connector
Audio	1ch Input, 1ch Output, 1ch Built-in MIC
Alarm	1ch Input, 1ch Output
RS485	Support
CVBS Output	Support
Reset Button	Support
Storage	Built-in Micro SD/SDHC/SDXC slot, up to 128G
Electrical	
Power Supply	AC24V/DC12V/POE (IEEE 802.3af)
Power Consumption	≤5W
Operating Temperature	Starting Temperature: -10°C ~ 50°C (14°F ~ 122°F ) Working Temperature: -20°C ~ 50°C (-4°F ~ 122°F)
Operating Humidity	Less than 90% RH
Ingress Protection	N/A
Certifications	CE / FCC
Casing	Metal
Dimensions	150.2mm x75mm x69.7mm
Net Weight	400g

## Dimensions(mm)



## Accessories

### Optional:



SN-CH302



SN-BK314