



SN-IPP5790DDN-B

32MP Multi-Sensor Panoramic Network Camera



Key Features

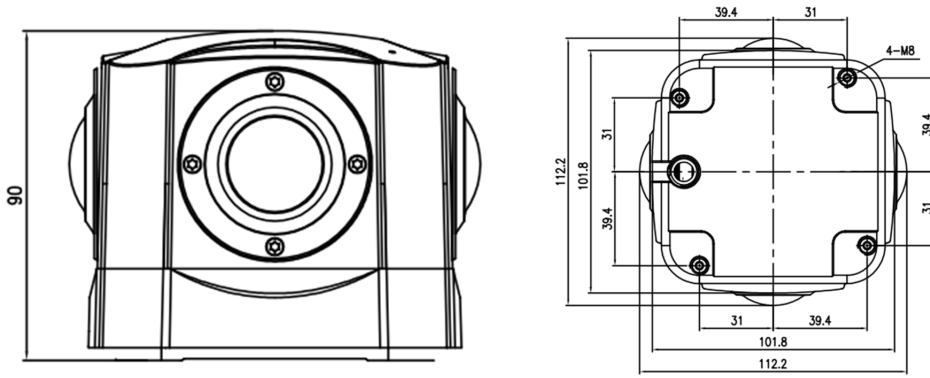
- Four 1/1.8" 8MP progressive scan CMOS
- 25fps@7680×4320
- 720° panoramic view
- Unique de-warping image
- Support camera & software de-warping
- ROI, Defog, HLC, BLC, AWB, AGC, EIS, IVS
- IP66

Specification

Camera	
Image Sensor	Four 1/1.8" 8MP Progressive Scan CMOS
Effective Pixels	7680(H)×4320(V)
Electronic Shutter	1/5~1/20,000s
Min. illumination	Color:0.002Lux@(F2.2, AGC ON) B/W:0.0002Lux@(F2.2, AGC ON)
S/N Ratio	≥55dB
Day/Night	ICR
Wide Dynamic Range	DWDR
IR Range	N/A
IR On/Off Control	N/A
Lens	
Lens Type	Fixed
Iris	Fixed Iris
Focal Length	2.2mm
F Number	F2.2
Angle of View	360°×360°
Focus Control	Fixed
Video	
Max. Resolution	Edge stitching 7680×4320
Streaming Capability	3 Streams
Stream / Frame Rate	Stream1: 7680×4320 @25fps,5760×3240/3840×2160 @25fps/30fps Stream2: 2560×1440/1080P/D1 @25fps/30fps Stream3: 720P/640×360/D1 @25fps/30fps
Bit Rate Control	CBR/VBR
Bit Rate	Stream1: 500Kbps~16Mbps Stream2: 500Kbps~12Mbps Stream3: 100Kbps~8Mbps
Image Enhancement	HLC / BLC / Anti-shake / Defog / DWDR
White Balance	Support
Gain Control	Auto/Manual
Noise Reduction	2D/3D DNR
Smart IR	N/A
Mirror	N/A
Aisle Mode	N/A
Region of Interest	Support
Motion Detection	Support
Privacy Masking	Support
Video Mode	Full Screen Stretch, 360 degrees panorama, Crystal Ball, Asteroid, Auto Cruise

Audio	
Compression	G.711
Bit Rate	64kbps (G.711), 128kps (RAW_PCM)
Network	
Protocols:	IPv4/IPv6, 802.1x, HTTP, HTTPS, TCP/IP, UDP/IP, RTSP, DHCP, NTP, RTCP/RTP, PPPoE, SMTP, DNS, UPnP, FTP, ARP, SNMP
Interoperability	ONVIF, SDK, CGI
Streaming Method	Unicast
Max. User Access	10 Users
Web Viewer	<IE11, Chrome, Firefox
Management Software	SunView
Smart Phone	IOS, Android
Intelligence	
IVS	Perimeter, Single Virtual Fence, Double Virtual Fences, Loiter, Multi Loiter, Object Left, Object Removed, Abnormal Speed, Converse, Illegal Parking, Signal Bad
Interface	
Ethernet	1 Ethernet (10/100 Base-T) RJ-45 Connector
Audio	1ch Input, 1ch Output, 2ch Built-in MIC
Alarm	1ch Input, 1ch Output
CVBS Output	N/A
Reset Button	Support
Storage	N/A
Electrical	
Power Supply	DC12V/POE+ (IEEE 802.3at)
Power Consumption	≤10W
Operating Temperature	Starting Temperature: -30°C ~ 60°C (-22°F ~ 140°F) Working Temperature: -40°C ~ 60°C (-40°F ~ 140°F)
Operating Humidity	Less than 90% RH
Ingress Protection	IP66
Certifications	CE / FCC
Casing	Metal
Dimensions	112.2×112.2×90mm
Net Weight	1.25Kg

Dimensions(mm)



Accessories

Optional: