



# SN-IPR57/08ALDN/Z

8MP IR Eyeball Network Camera



## Key Features

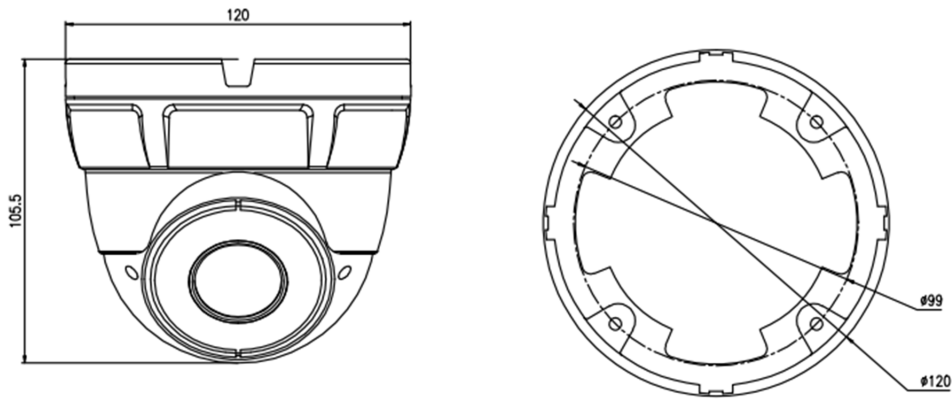
- 1/2.5" progressive scan CMOS
- 3.3~12mm motorized lens
- 30fps@4K(3840×2160)
- Triple streams
- WDR, 3D DNR, ROI, HLC, BLC, Aisle mode, Defog
- Smart IR up to 30m
- IP67

# Specification

Camera	
Image Sensor	1/2.5" Progressive Scan CMOS
Effective Pixels	3840(H)×2160(V)
Electronic Shutter	1/5-1/20,000s
Min. illumination	Color: 0.01Lux @(F1.2,AGC ON) , B/W: 0Lux @(IR LED ON)
S/N Ratio	55dB
Day/Night	ICR
Wide Dynamic Range	WDR (120dB)
IR Range	Up to 30m
IR On/Off Control	Auto/ Manual
IR LEDs	4pcs
Pan/Tilt/Rotation Range	Pan: 0°~360°, Tilt: 0°~90°, Rotation: 0°~360°
Lens	
Lens Type	Motorized
Iris	Fixed Iris
Focal Length	3.3~12mm
F Number	F1.4
Angle of View	108.6° ~ 35°
Focus Control	Motorized
Video	
Max. Resolution	8MP (3840×2160)
Streaming Capability	3 Streams
Stream / Frame Rate	Stream1: 3840×2160 / 3072×2048 / 2592×1520 / 1920×1080 @25/30fps Stream2: D1 / VGA / CIF / QVGA @25/30fps Stream3: VGA / CIF / QCIF @25/30fps
Bit Rate Control	CBR/VBR
Bit Rate	Stream1: 500kbps~16Mbps Stream2: 10Kbps~6Mbps Stream3: 10Kbps~3Mbps
Image Enhancement	HLC / BLC / Anti-shake / Defog / WDR (120dB)
White Balance	Support
Gain Control	Auto/Manual
Noise Reduction	2D/3D DNR
Smart IR	Support
Mirror	Support
Aisle Mode	Support

Region of Interest	Support
Motion Detection	Support
Privacy Masking	Support
Audio	
Compression	G.711, RAW_PCM
Bit Rate	8kbps, 16kps, 64kbps
Network	
Protocols	IPv4/IPv6, 802.1x, HTTP, HTTPS, TCP/IP, UDP/IP, RTSP, DHCP, NTP, RTCP/RTP, PPPoE, SMTP, DNS, UPnP, FTP, ARP, SNMP
Interoperability	ONVIF, SDK, CGI
Streaming Method	Unicast
Max. User Access	10 Users
Web Viewer	<IE11, Chrome, Firefox
Management Software	SunView
Smart Phone	IOS, Android
Intelligence	
IVS	Perimeter, Single Virtual Fence, Double Virtual Fences, Loiter, Multi Loiter, Object Left, Object Removed, Abnormal Speed, Converse, Illegal Parking, Signal Bad
Interface	
Ethernet	1 Ethernet (10/100 Base-T) RJ-45 Connector
Audio	1ch Input, 1ch Output
Alarm	1ch Input, 1ch Output
CVBS Output	Support
Storage	Built-in Micro SD/SDHC/SDXC slot, up to 128G
Electrical	
Power Supply	DC12V/POE (IEEE 802.3af)
Power Consumption	4W (IR LED OFF), 8W (IR LED ON)
Operating Temperature	-30°C ~ 50°C (-22°F ~ 122°F)
Operating Humidity	Less than 90% RH
Ingress Protection	IP67
Certifications	CE / FCC
Casing	Metal
Dimensions	φ 120×105.5mm
Net Weight	700g

## Dimensions(mm)



## Accessories

### Optional:



SN-CBK648  
Junction Box



SN-BK345  
Wall Mount