



SN-IPR57/41ALDN/Z

4MP IR Eyeball Network Camera



Key Features

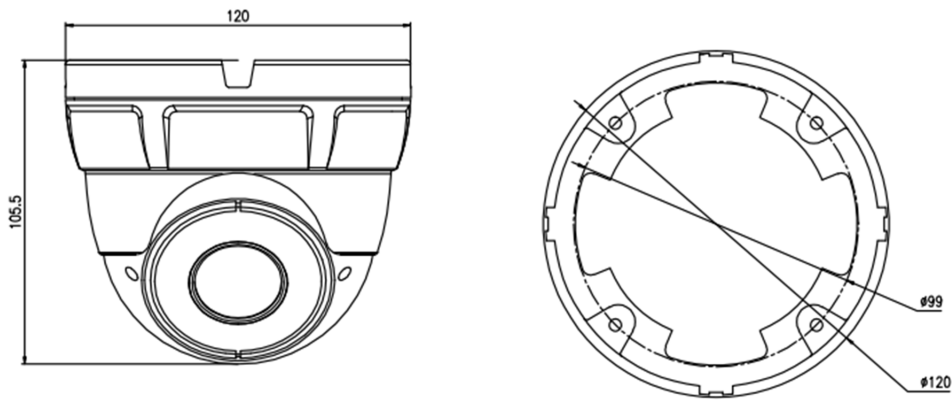
- 1/3" progressive scan CMOS
- 2.7~12mm motorized lens
- 25/30fps@4MP(2592×1520)
- Triple streams
- WDR, 3D DNR, ROI, HLC, BLC, Aisle mode, Defog, EIS
- Smart IR up to 30m
- IP67

Specification

Camera	
Image Sensor	1/3" Progressive Scan CMOS
Effective Pixels	2592(H)×1520(V)
Electronic Shutter	1/5~1/20,000s
Min. illumination	Color: 0.05Lux @(F1.2,AGC ON) B/W: 0Lux @(IR LED ON)
S/N Ratio	55dB
Day/Night	ICR
Wide Dynamic Range	WDR (120dB)
IR Range	Up to 30m
IR On/Off Control	Auto/ Manual
IR LEDs	4pcs
Pan/Tilt/Rotation Range	Pan: 0°~360°, Tilt: 0°~90°, Rotation: 0°~360°
Lens	
Lens Type	Motorized
Iris	Auto Iris
Focal Length	2.7~12mm
F Number	F1.3
Angle of View	100°~ 30°
Focus Control	Motorized
Video	
Max. Resolution	4MP(2592×1520)
Streaming Capability	3 Streams
Stream / Frame Rate	Stream1: 2592×1520/2560×1440/2304×1296/ 1920×1080/1280×720 @25/30fps Stream2: D1/VGA/640×360/CIF/QVGA @25/30fps Stream3: VGA/CIF/QVGA @25/30fps
Bit Rate Control	CBR/VBR
Bit Rate	Stream1: 200Kbps~12Mbps Stream2: 100Kbps~6Mbps Stream3: 100Kbps~3Mbps
Image Enhancement	HLC / BLC / Anti-shake / Defog / WDR (120dB)
White Balance	Support
Gain Control	Auto/Manual
Noise Reduction	2D/3D DNR
Smart IR	Support
Mirror	Support
Aisle Mode	Support
Region of Interest	Support

Motion Detection	Support
Privacy Masking	Support
Audio	
Compression	G.711, RAW_PCM
Bit Rate	8kbps, 16kps, 64kbps
Network	
Protocols:	IPv4/IPv6, 802.1x, HTTP, HTTPS, TCP/IP, UDP/IP, RTSP, DHCP, NTP, RTCP/RTP, PPPoE, SMTP, DNS, UPnP, FTP, ARP, SNMP
Interoperability	ONVIF, SDK, CGI
Streaming Method	Unicast
Max. User Access	10 Users
Web Viewer	<IE11, Chrome, Firefox
Management Software	SunView
Smart Phone	IOS, Android
Intelligence	
IVS	Perimeter, Single Virtual Fence, Double Virtual Fences, Loiter, Multi Loiter, Object Left, Object Removed, Abnormal Speed, Converse, Illegal Parking, Signal Bad
Interface	
Ethernet	1 Ethernet (10/100 Base-T) RJ-45 Connector
Audio	1ch Input, 1ch Output
Alarm	1ch Input, 1ch Output
CVBS Output	Support
Reset Button	Support
Storage	Built-in Micro SD/SDHC/SDXC slot, up to 128G
Power Output	DC12V/100mA optional
Electrical	
Power Supply	DC12V/POE (IEEE 802.3af)
Power Consumption	3.5W(IR LED OFF), 8.5W (IR LED ON)
Operating Temperature	Starting Temperature: -30°C ~ 60°C (-22°F ~ 140°F) Working Temperature: -40°C ~ 60°C (-40°F ~ 140°F)
Operating Humidity	Less than 90% RH
Ingress Protection	IP67
Certifications	CE / FCC
Casing	Metal
Dimensions	φ 120×105.5mm
Net Weight	700g

Dimensions(mm)



Accessories

Optional:



SN-CBK648
Junction Box



SN-BK345
Wall Mount