



# SN-IPR5825CPAW-J4-Z

2MP IR Bullet AI Network Camera



## Key Features

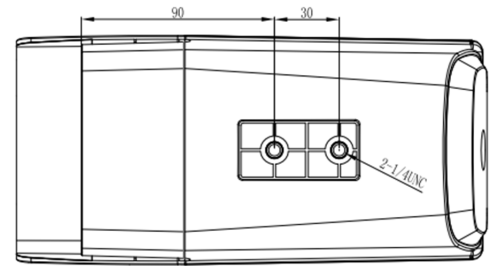
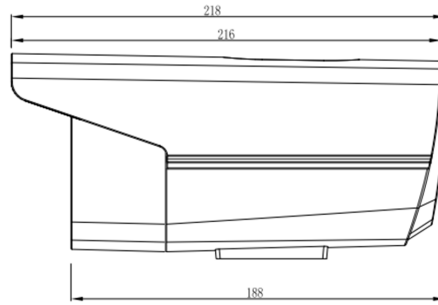
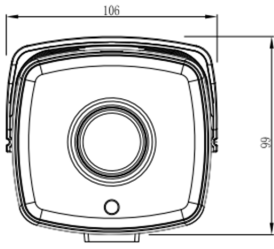
- 1/2.8" Progressive Scan CMOS
- 2.7~13.5mm motorized lens
- 25fps/30fps@2MP(1920\*1080)
- Triple streams
- Support human body, vehicle, non-motor detection alarm
- WDR, 3D DNR, ROI, Defog, HLC, Anti-shake
- LED up to 50m
- IP66

# Specification

Camera	
Image Sensor	1/2.8" Progressive Scan CMOS
Effective Pixels	1920(H)×1080(V)
Electronic Shutter	1/5~1/20,000s
Min. illumination	Color: 0.1Lux with white light
S/N Ratio	55dB
Day/Night	ICR
Wide Dynamic Range	WDR (120dB)
White Light Range	White light LEDs, Up to 50m
LED On/Off Control	Auto/ Manual
Pan/Tilt/Rotation Range	N/A
Lens	
Lens Type	Motorized
Iris	Fixed Iris
Focal Length	2.7~13.5mm
F Number	F1.6
Angle of View	H: 105°~ 30°, V: 55° ~15°
Focus Control	Motorized
Video	
Max. Resolution	1080P(1920×1080)
Streaming Capability	3 Streams
Stream / Frame Rate	Stream1: 1920×1080/1280×720 @25/30fps Stream2: D1/VGA/640×360/CIF/QVGA @25/30fps Stream3: VGA/CIF/QVGA @25/30fps
Bit Rate Control	CBR/VBR
Bit Rate	Stream1: 100kbps~12Mbps Stream2: 10kbps~6Mbps Stream3: 10kbps~3Mbps
Image Enhancement	HLC / BLC / Anti-shake / Defog / WDR (120dB)
White Balance	Support
Gain Control	Auto/Manual
Noise Reduction	2D/3D DNR
Smart IR	Support
Mirror	Support
Aisle Mode	N/A
Region of Interest	Support
Motion Detection	Support
Privacy Masking	Support

Audio	
Compression	G.711, RAW_PCM
Bit Rate	8kbps, 16kbps, 64kbps
Network	
Protocols	IPv4/IPv6, 802.1x, HTTP, HTTPS, TCP/IP, UDP/IP, RTSP, DHCP, NTP, RTCP/RTP, PPPoE, SMTP, DNS, UPnP, FTP, ARP, SNMP
Interoperability	ONVIF, SDK, CGI
Streaming Method	Unicast
Max. User Access	10 Users
Web Viewer	<IE11, Chrome, Firefox
Management Software	SunView
Intelligence	
IVS	Perimeter, Single Virtual Fence Support sound-light alarm triggering by specified target types (human and vehicle).Filtering out mistaken alarm caused by target types such as leaf, light, animal, and flag, etc.
Smart Detection	Detects human body, vehicle and non-motor automatically
Interface	
Ethernet	1 Ethernet (10/100 Base-T) RJ-45 Connector
Audio	1ch Input, 1ch Output
Alarm	1ch Input, 1ch Output (Audio output external speaker)
CVBS Output	N/A
RS485	Support
Reset Button	Support
Storage	Built-in Micro SD/SDHC/SDXC slot, up to 128G
Electrical	
Power Supply	DC12V/POE (IEEE 802.3af)
Power Consumption	<8W
Operating Temperature	-30°C ~ 50°C (-22°F ~ 122°F )
Operating Humidity	Less than 90% RH
Ingress Protection	IP66
Certifications	CE / FCC
Casing	Metal + Plastic
Dimensions	218×106×99mm
Net Weight	0.76Kg

## Dimensions(mm)



## Accessories

**Optional:**