



SN-IPR5850BYAN-B

5MP IR Bullet Network Camera



Key Features

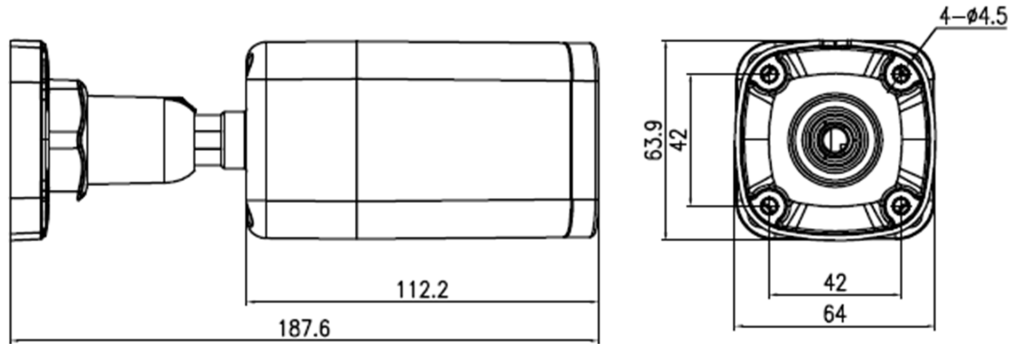
- 1/2.8" progressive scan CMOS
- 2.8mm (3.6mm optional)
- 25fps@5MP(2560×1920)
- Triple streams
- WDR, 3D DNR, ROI, HLC, BLC, Aisle mode, Defog
- Smart IR up to 30m
- IP67

Specification

| Camera | |
|-------------------------|---|
| Image Sensor | 1/2.8" Progressive Scan CMOS |
| Effective Pixels | 2560(H)×1920(V) |
| Electronic Shutter | 1/5~1/20,000s |
| Min. illumination | Color: 0.05Lux @(F1.2,AGC ON) , B/W: 0Lux @(IR LED ON) |
| S/N Ratio | 55dB |
| Day/Night | ICR |
| Wide Dynamic Range | WDR (120dB) |
| IR Range | Up to 30m |
| IR On/Off Control | Auto/ Manual |
| Pan/Tilt/Rotation Range | Pan: 0°~360°, Tilt: 0°~90°, Rotation: 0°~360° |
| Lens | |
| Lens Type | Fixed |
| Iris | Fixed Iris |
| Focal Length | 2.8mm (3.6mm optional) |
| F Number | F2.0 |
| Angle of View | 105° |
| Focus Control | Fixed |
| Video | |
| Max. Resolution | 5MP(2560×1920) |
| Streaming Capability | 3 Streams |
| Stream / Frame Rate | Stream1: 2560×1920/2048×1536/1920×960 @25fps Stream2: D1/VGA/640×360/CIF/QVGA @25/30fps Stream3: VGA/CIF/QCIF @25/30fps |
| Bit Rate Control | CBR/VBR |
| Bit Rate | Stream1: 200kbps~12Mbps Stream2: 100Kbps~6Mbps Stream3: 100Kbps~3Mbps |
| Image Enhancement | HLC / BLC / Anti-shake / Defog / WDR (120dB) |
| White Balance | Support |
| Gain Control | Auto/Manual |
| Noise Reduction | 2D/3D DNR |
| Smart IR | Support |
| Mirror | Support |
| Aisle Mode | Support |
| Region of Interest | Support |
| Motion Detection | Support |
| Privacy Masking | Support |

| Audio | |
|-----------------------|--|
| Compression | G.711, RAW_PCM |
| Bit Rate | 8kbps, 16kps, 64kbps |
| Network | |
| Protocols | IPv4/IPv6, 802.1x, HTTP, HTTPS, TCP/IP, UDP/IP, RTSP, DHCP, NTP, RTCP/RTP, PPPoE, SMTP, DNS, UPnP, FTP, ARP, SNMP |
| Interoperability | ONVIF, SDK, CGI |
| Streaming Method | Unicast |
| Max. User Access | 10 Users |
| Web Viewer | <IE11, Chrome, Firefox |
| Management Software | SunView |
| Smart Phone | IOS, Android |
| Intelligence | |
| IVS | Perimeter, Single Virtual Fence, Double Virtual Fences, Loiter, Multi Loiter, Object Left, Object Removed, Abnormal Speed, Converse, Illegal Parking, Signal Bad |
| Interface | |
| Ethernet | 1 Ethernet (10/100 Base-T) RJ-45 Connector |
| Audio | 1ch Input, 1ch Output |
| Alarm | 1ch Input, 1ch Output |
| CVBS Output | N/A |
| Reset Button | Support |
| Storage | Built-in Micro SD/SDHC/SDXC slot, up to 128G |
| Electrical | |
| Power Supply | DC12V/POE (IEEE 802.3af) |
| Power Consumption | 3.5W (IR LED OFF), 8W (IR LED ON) |
| Operating Temperature | -30°C ~ 50°C (-22°F ~ 122°F) |
| Operating Humidity | Less than 90% RH |
| Ingress Protection | IP67 |
| Certifications | CE / FCC |
| Casing | Metal |
| Dimensions | 187.6 × 64 × 64mm |
| Net Weight | 0.6Kg |

Dimensions(mm)



Accessories

Optional:



SN-CBK649A
Junction Box



SN-CBK627B
Pole Mount