



# SN-IPS57/30CDR/ZSD12

3MP IR Mini PTZ Network Camera



## Key Features

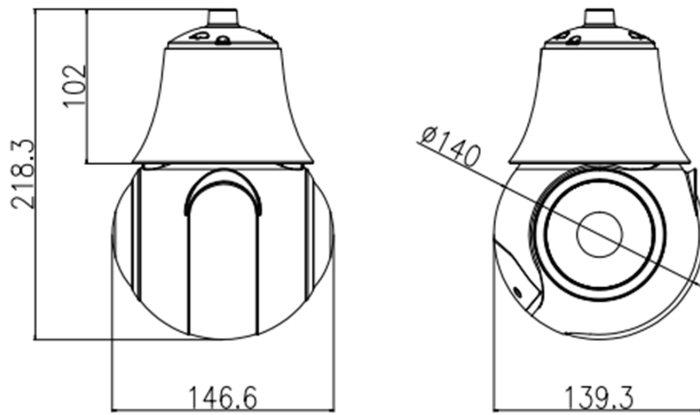
- 1/2.8" progressive scan CMOS
- 12x optical zoom, 16x digital zoom
- 3MP(2048×1536)@25/30fps
- Multiple streams
- 3D DNR, DWDR, ICR, IVS, Defog
- Auto tracking
- Smart IR range up to 80m
- IP66

# Specification

Camera	
Image Sensor	1/2.8" Progressive Scan CMOS
Effective Pixels	2048(H) x 1536(V)
Electronic Shutter	Auto/Manual, 1/1~1/10,000s
Min. illumination	Color: 0.01Lux @(F1.2,AGC ON) B/W: 0Lux @(IR LED ON)
S/N Ratio	55dB
Day/Night	Auto(ICR) / Day / Night / Timing
Wide Dynamic Range	DWDR
IR Range	Up to 80m
IR On/Off Control	Auto/ Manual
IR LEDs	6pcs
Lens	
Focal Length	4.7~56.4mm
Max. Aperture	F1.6~F3.0
Angle of View	H: 60.9°~6.43°
Optical Zoom	12x
Digital Zoom	16x
Focus Control	Auto/Manual
PTZ	
Pan/Tilt Range	Pan: 0° ~ 360° endless, Tilt: -10° ~ +90°
Manual Control Speed	Pan: 0.1° ~180° /s, Tilt: 0.1° ~90° /s
Preset Speed	Pan: 180° /s, Tilt: 90° /s
Presets	300
PTZ Mode	6 Track, 12 Tour, 12 Scan,
Speed Setup	Auto/Manual (0-8)
Power up Action	Support
Idle Motion	Activate Preset/ Scan/ Tour/ Track if there is no command in the specified period
Video	
Max. Resolution	3MP(2048×1536)
Streaming Capability	3 Streams
Stream / Frame Rate	Stream1: 2048×1536/1920×1080/1280×720 @25/30fps Stream2: D1/VGA/640×360/CIF/QVGA @25/30fps Stream3: VGA/CIF/QVGA @25/30fps
Bit Rate Control	CBR/VBR
Bit Rate	Stream1: 200kbps~12Mbps Stream2: 100kbps~6Mbps Stream3: 100kbps~3Mbps
Image Enhancement	HLC / BLC / Anti-shake / Defog / DWDR
White Balance	Auto/Tungsten/Fluorescent/Daylight/Shadow/Manual
Gain Control	Auto/Manual
Noise Reduction	2D/3D DNR
Smart IR	Support

Mirror	Support
Aisle Mode	Support
Region of Interest	Off / On (8 Zone)
Motion Detection	Off / On
Privacy Masking	Off / On (4 Area, Rectangle)
Audio	
Compression	G.711, RAW_PCM
Bit Rate	8kbps(G.711), 16kps(RAW_PCM)
Network	
Protocols:	IPv4/IPv6, 802.1x, HTTP, HTTPS, TCP/IP, UDP/IP, RTSP, DHCP, NTP, RTCP/RTP, PPPoE, SMTP, DNS, UPnP, FTP, ARP, SNMP
Interoperability	ONVIF, SDK, CGI
Streaming Method	Unicast
Max. User Access	10 Users
Edge Storage	Local PC for instant recording Micro SD card 256GB
Web Viewer	<IE11, Chrome, Firefox
Management Software	SunView
Smart Phone	IOS, Android
Intelligence	
Auto Tracking	Support
IVS	Perimeter, Single Virtual Fence, Double Virtual Fences, Loiter, Multi Loiter, Object Left, Object Removed, Abnormal Speed, Converse, Illegal Parking, Signal Bad
Interface	
Ethernet	1 Ethernet (10/100 Base-T) RJ-45 Connector
Audio	1ch Input, 1ch Output
Alarm	2ch Input, 1ch Output
RS485	N/A
CVBS Output	N/A
Reset Button	Yes (Built-in)
Electrical	
Power Supply	AC24V/POE+ (IEEE 802.at)
Power Consumption	Less than 25W
Operating Temperature	Starting Temperature: -40°C ~ 60°C (-40°F ~ 140 °F) Working Temperature:-55°C ~ 60°C (-67°F ~ 140 °F)
Operating Humidity	Less than 90% RH
Ingress Protection	IP66, TVS4000V
Certifications	CE/FCC
Casing	Metal
Dimensions	146.6×139.3×218.3mm
Net Weight	1.5Kg

## Dimensions(mm)



## Accessories

### Optional:



SN-CBK641  
Wall Bracket



SN-CBK640  
Ceiling Bracket



SN-CBK642  
Ceiling Bracket



SN-CBK645A  
Junction Mount



SN-BK626  
Corner Mount



SN-BK627B  
Pole Mount