



SN-IPV5221EQBR-Z

2MP 3x IR PTZ Dome Network Camera



Key Features

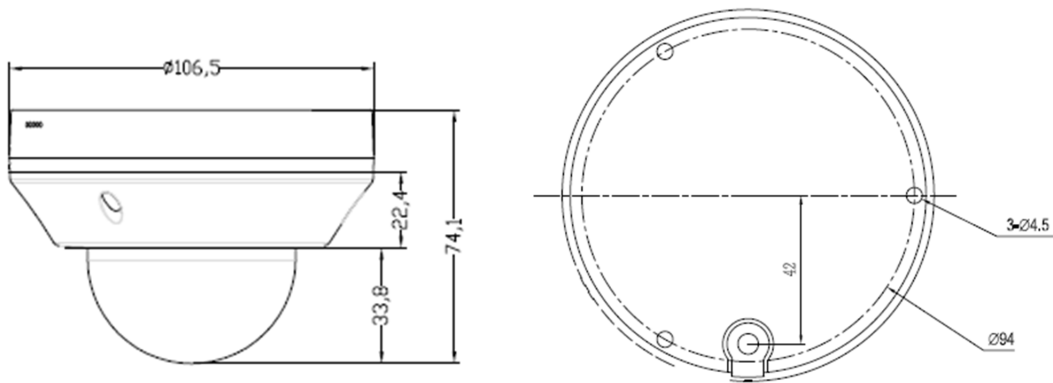
- 1/2.9" progressive scan CMOS
- 2.8~8mm motorized lens
- 25/30fps@2MP(1920×1080)
- Triple streams
- WDR, 3D DNR, ROI, HLC, BLC, Aisle mode, Defog
- Built-in Mic
- Smart IR up to 20m
- IP66

Specification

Camera	
Image Sensor	1/2.9" Progressive Scan CMOS
Effective Pixels	1920(H)×1080(V)
Electronic Shutter	1/5~1/20,000s
Min. illumination	Color: 0.01Lux @(F1.2,AGC ON) , B/W: 0Lux @(IR LED ON)
S/N Ratio	55dB
Day/Night	ICR
Wide Dynamic Range	T-WDR (96dB)
IR Range	Up to 20m
IR On/Off Control	Auto/ Manual
Lens	
Lens Type	Motorized
Iris	Fixed Iris
Focal Length	2.8~8mm
F Number	F1.6
Angle of View	H: 94°~ 48°, V: 50°~ 27°
Focus Control	Motorized
PTZ	
Pan/Tilt Range	Pan: 0°~350°, Tilt: 5°~90°
Pan/Tilt Speed	Pan: 0.5°~100°/s, Tilt: 0.5°~100°/s
Power up Action	Auto restore to previous PTZ and lens status
Preset Quantity	255
Video	
Max. Resolution	1080P(1920×1080)
Streaming Capability	3 Streams
Stream / Frame Rate	Stream1: 1920×1080/1280×720 @25/30fps Stream2: D1/VGA/640×360/CIF/QVGA @25/30fps Stream3: VGA/CIF/QVGA @25/30fps
Bit Rate Control	CBR/VBR
Bit Rate	Stream1: 200kbps~12Mbps Stream2: 10kbps~3Mbps Stream2: 10kbps~1.5Mbps
Image Enhancement	HLC / BLC / Anti-shake / Defog / T-WDR
White Balance	Support
Gain Control	Auto/Manual
Noise Reduction	2D/3D DNR
Mirror	Support
Aisle Mode	Support

Region of Interest	Support
Motion Detection	Support
Privacy Masking	Support
Network	
Protocols	IPv4, 802.1x, HTTP, HTTPS, TCP/IP, UDP/IP, RTSP, DHCP, NTP, RTCP/RTP, PPPoE, SMTP, DNS, DDNS, UPnP, FTP, ARP, SNMP
Interoperability	ONVIF, SDK, CGI
Streaming Method	Unicast
Max. User Access	10 Users
Web Viewer	<IE11, Chrome, Firefox
Management Software	SunView
Smart Phone	IOS, Android
Intelligence	
IVS	Perimeter, Single Virtual Fence, Double Virtual Fences, Loiter, Multi Loiter, Object Left, Object Removed, Abnormal Speed, Converse, Illegal Parking, Signal Bad
Interface	
Ethernet	1 Ethernet (10/100 Base-T) RJ-45 Connector
Audio	Built-in Mic
Alarm	N/A
Reset Button	Support
Electrical	
Power Supply	DC12V/POE (IEEE 802.3af)
Power Consumption	<10W
Operating Temperature	-20°C ~ 50°C (-4°F ~ 122°F)
Operating Humidity	Less than 90% RH
Ingress Protection	IP66
Certifications	CE / FCC
Casing	Metal
Dimensions	φ 106.5×74.1mm
Net Weight	0.4Kg

Dimensions(mm)



Accessories

Optional:



SN-CBK646A
Junction Box



SN-BK345
Wall Mount