



SN-TPT4201ZZ/M (III)

Temperature Alarm PT Network Camera



Key Features

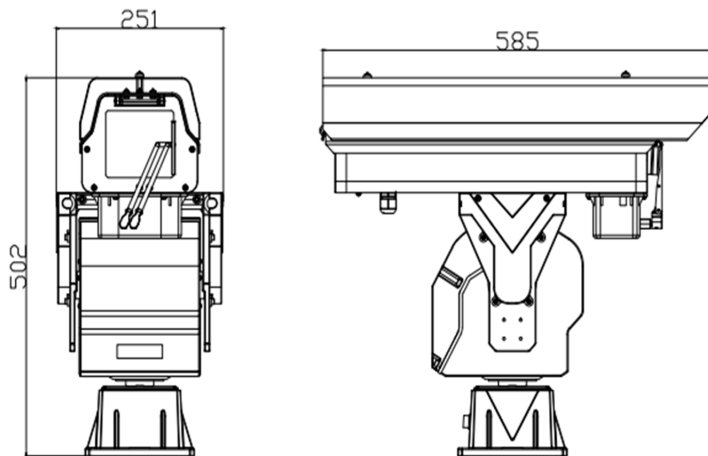
- On-board temp-detection algorithm
- Effective pixels 400×300
- Sensitivity 40mK
- 25/50/75/100mm Motorized Lens Optional
- 20 Spots / 2 Lines / 16 Areas Temperature Detection
- 17 Color Control
- Power Off Self-Locking, Strong Wind Resistance
- Anti-Frozen
- Standalone Operating

Specification

Thermal Camera				
Detector Type	Uncooled IRFPA Microbolometer			
Effective Pixels	400(H) × 300(V)			
Pixel Size	17um			
Thermal Sensitivity (NETD)	40mK @F1.0, 300K			
Spectral Range	8~14um			
Image Setting	Polarity LUT/ DVE/ Mirror/ FCC/ /3D DNR Brightness/Contrast/ ROI			
Color Palettes	Black-Heat /White-Heat/Rainbow/Iron-Red up to 17 modes			
Thermal Lens				
Lens Type	Fixed			
Focus Control	Motorized Focus			
Focal Length	25mm	50mm	75mm	100mm
F No.	F1.0	F1.0	F1.0	F1.0
Angle of View	H:15.4° V:11.6°	H: 7.7° V:5.8°	H: 5.1° V:3.8°	H: 3.8° V:2.3°
Detection Distance Fire(1m*1m)	735m	1471m	2206m	2941m
Detection Distance Man(1.8m*0.5m)	735m	1471m	2206m	2941m
Detection Distance Vehicle(4m*1.5m)	2255m	4510m	6765m	9020m
Recognition Distance Fire(1m*1m)	245m	490m	735m	980m
Recognition Distance Man(1.8m*0.5m)	184m	368m	551m	735m
Recognition Distance Vehicle(4m*1.5m)	564m	1127m	1691m	2255m
Video and Audio				
Frame Rate	Main Stream: D1 @25/30fps Sub Stream: CIF @25/30fps			
Bit Rate Control	CBR/VBR			
Bit Rate	100Kbps~6Mbps			
Region of Interest	Off / On (8 Zone, Rectangle)			
Digital Zoom	16x			
Mirror	Support			
Defog	Support			
Motion Detection	Support			
Privacy Masking	Off / On (4 Area, Rectangle)			
DVE Image Enhance	Support			
Audio Compression	G.711, AMR, RAW_PCM (Optional)			
Intelligence				
Intelligent Functions	Motion detection, Disk alarm, I/O alarm, Temperature alarm			
IVS	Perimeter, Single Virtual Fences, Double Virtual Fences, Object Left, Object Removed			
PTZ				
Pan/Tilt Range	Pan: 0° ~ 360° endless; Tilt: +40° ~ -75°			
Pan/Tilt Speed	Pan: 0.01° ~60° /s; Tilt: 0.01° ~30° /s			
Preset Speed	Pan: 0.01° ~60° /s; Tilt: 0.01° ~30° /s			
Presets	400			

PTZ Mode	8 Auto Scan, 12 Tour, 6 Track
Speed Setup	Auto/Manual (0-8),
Power Off Memory	Support
Idle Motion	Activate Preset/ Scan/ Tour/ Pattern if there is no command in the specified period
Protocol	SN-SD, Pelco-D
Temperature Detection	
Detection Mode	Spot, Line, Area
Detection Preset	Support 3 temperature measurement rule types, 20 rules (20 points / 2 lines / 16 regions)
Temperature Alarm	Over temperature alarm, Temperature difference alarm
Accuracy	±2°C / ±2%
Response Time	≤30ms
Theory of temperature measurement range	-40°C~150°C(-40°F~302°F)
Temperature display mode	Temperature target >5°C, Display absolute temperature value, Temperature target ≤5°C, Display relative temperature value (temperature difference DEV = highest value - average)
Network	
Ethernet	RJ-45 (10/100Base-T)
Protocols:	IPv4/IPv6 ,HTTP,RTSP/RTP/RTCP, TCP/UDP, DHCP, DNS, PPPOE, SMTP, SIP ,802.1x
Interoperability	ONVIF, CGI, SDK
Streaming Method	Unicast
Max. User Access	10 Users
Edge Storage	Local PC for instant recording Micro SD card 128GB
Web Viewer	<IE11, Chrome, Firefox
Web Language	English, Chinese, Polish, Italian, Portuguese, Spanish, Russian, French, Czech, Hungarian
Interface	
Ethernet	1 Ethernet (10/100 Base-T) RJ-45 Connector
Audio Interface	1ch Audio In,1ch Audio Out
Alarm	2ch Alarm In,2ch Alarm Out
RS485	Support
BNC Output	Support
Reset Button	Support
General	
Power Supply	DC36V
Power Consumption	Max 100W
Working Temperature	-40°C~60°C(-40°F~140°F)
Storage Conditions	0~ 90% RH
Certifications	CE /FCC
Ingress Protection	IP66
Casing	Metal
Dimensions	585×251×502mm
Net Weight	22.5Kg (Contains 50 mm lens)

Dimensions(mm)



Accessories

Optional: N/A