



SN-TPT4231QF/M (III)

Bispectral PTZ Network Camera



Key Features

- On-board temp-detection algorithm
- Effective pixels 400×300
- Sensitivity 40mK
- 25mm motorized lens optional
- 20 spots / 2 lines / 16 areas temperature detection
- 17 color control
- DVE image enhance
- Power off self-locking, strong wind resistance
- Anti-frozen
- Standalone operating

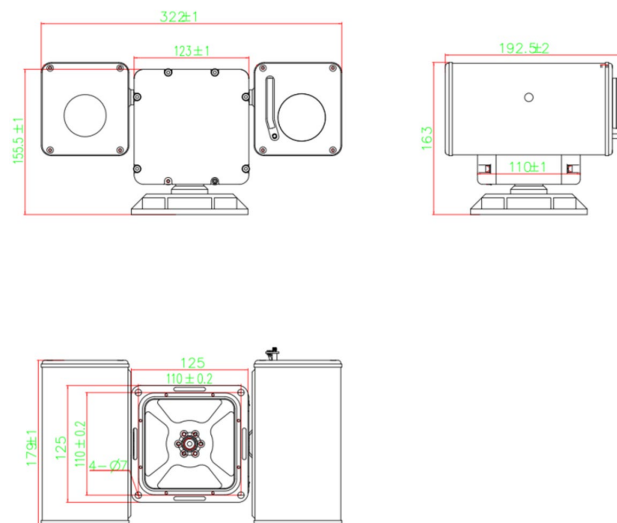
Specification

Thermal Camera	
Detector Type	Uncooled IRFPA Microbolometer
Effective Pixels	400(H) × 300(V)
Pixel Size	17um
Thermal Sensitivity (NETD)	40mK @F1.0, 300K
Spectral Range	8~14um
Image Setting	Polarity LUT/ DVE/ Mirror/ FCC/ /3D DNR Brightness/Contrast/ ROI
Color Palettes	Black-Heat /White-Heat/Rainbow/Iron-Red up to 17 modes
Thermal Lens	
Lens Type	Fixed
Focus Control	Motorized Focus
Focal Length	25mm
F No.	F1.0
Angle of View	H:15.4°, V:11.6°
Detection Distance Fire(1m*1m)	735m
Detection Distance Man(1.8m*0.5m)	735m
Detection Distance Vehicle(4m*1.5m)	2255m
Recognition Distance Fire(1m*1m)	245m
Recognition Distance Man(1.8m*0.5m)	184m
Recognition Distance Vehicle(4m*1.5m)	564m
Visible Camera	
Image Sensor	1/2.8" Sony CMOS
Effective Resolution	2048 (H) × 1536(V)
Shutter Speed	1/5 ~ 1/20,000s
Min. Illumination	Color: 0.01Lux @(F1.2, AGC ON), B/W: 0.1Lux
S/N Ratio	More than 55dB
Visible Lens	
Focal Length	4.5 ~ 135mm
Max Aperture	F1.6~F4.4
Angle of View	H:59.8°~2.3°
Optical Zoom	30x
Focus Control	Auto / Manual
PTZ	
Pan/Tilt Range	Pan: 0° ~ 360° endless; Tilt: +90° ~ -90°
Pan/Tilt Speed	Pan: 0.01° ~30° /s; Tilt: 0.01° ~10° /s

Preset Speed	Pan: 0.01° ~30° /s; Tilt: 0.01° ~10° /s
Presets	400
PTZ Mode	8 Auto Scan, 12 Tour, 6 Track
Speed Setup	Auto/Manual (0-8),
Power Off Memory	Support
Idle Motion	Activate Preset/ Scan/ Tour/ Pattern if there is no command in the specified period
Protocol	SN-SD, Pelco-D
Video and Audio	
Frame Rate	Main Stream: Thermal: D1 @25/30fps Visible: 2048 × 1536 @25/30fps Sub Stream: Thermal: CIF @25/30fps Visible: D1/VGA/640 × 360/CIF/QCIF/QVGA @25/30fps
Bit Rate Control	CBR/VBR
Bit Rate	Thermal: 100Kbps~6Mbps Visible: main stream: 500Kbps~12Mbps; sub stream: 100Kbps~6Kbps
Region of Interest	Off / On (8 Zone, Rectangle)
Digital Zoom	16x
Mirror	Support
Defog	Support
Motion Detection	Support
Privacy Masking	Off / On (4 Area, Rectangle)
DVE Image Enhance	Support
Audio Compression	G.711, AMR, RAW_PCM (Optional)
Intelligence	
Intelligent Functions	Motion detection, Disk alarm, I/O alarm, Temperature alarm
IVS	Perimeter, Single Virtual Fences, Double Virtual Fences, Object Left, Object Removed
Temperature Detection	
Detection Mode	Spot, Line, Area
Detection Preset	Support 3 temperature measurement rule types, 20 rules (20 points / 2 lines / 16 regions)
Temperature Alarm	Over temperature alarm, Temperature difference alarm
Accuracy	±2°C / ±2%
Response Time	≤30ms
Theory of temperature measurement range	-40°C~150°C(-40°F~302°F)
Temperature display mode	Temperature target >5°C, Display absolute temperature value, Temperature target ≤5°C, Display relative temperature value (temperature difference DEV = highest value - average)

Network	
Ethernet	RJ-45 (10/100Base-T)
Protocols:	IPv4/IPv6 ,HTTP,RTSP/RTP/RTCP, TCP/UDP, DHCP, DNS, PPPOE, SMTP, SIP ,802.1x
Interoperability	ONVIF, CGI, SDK
Streaming Method	Unicast
Max. User Access	10 Users
Edge Storage	Local PC for instant recording Micro SD card 128GB
Web Viewer	<IE11, Chrome, Firefox
Web Language	English, Chinese, Polish, Italian, Portuguese, Spanish, Russian, French, Czech, Hungarian
Interface	
Ethernet	2 Ethernet (10/100 Base-T) RJ-45 Connector
Audio	N/A
Alarm	1ch Alarm Out
RS485	Support
CVBS Output	Support
Reset Button	Support(Built-in)
General	
Power Supply	DC24V
Power Consumption	Max 40W
Working Temperature	-20°C~60°C(-4°F~140°F)
Storage Conditions	0~ 90% RH
Certifications	CE /FCC
Ingress Protection	IP66
Casing	Metal
Dimensions	322×192×163mm
Net Weight	5Kg

Dimensions(mm)



Accessories

Optional: N/A